



Hegewald & Peschke
Meß- und Prüftechnik GmbH

Product Information

Universal testing machine Inspekt S-XL 600kN

Test room height 5000mm



Hegewald & Peschke, Meß- und Prüftechnik GmbH
Am Gründchen 1, 01683 Nossen, Germany
Telephone: +49 35242 445-0, Telefax: +49 35242 445-111
E-Mail: info@hegewald-peschke.de
<http://www.hegewald-peschke.com>

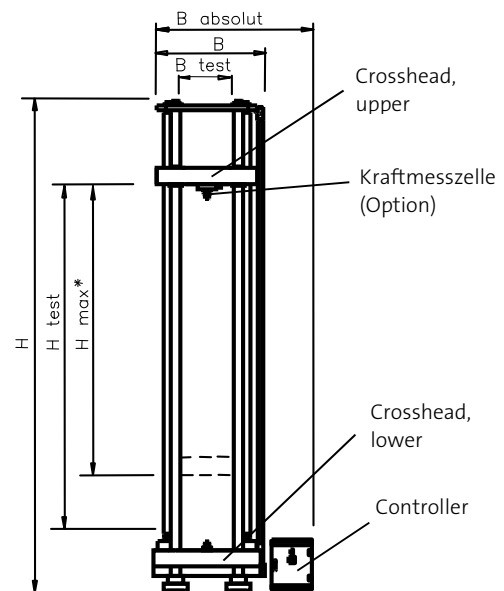
Technical data:

Test load tension/ compression	600kN
Mechanical design	Two - column testing machine with 2 ball-screws and bellows, AC-drive
Stiffness load frame	556kN/ mm (with deformation of load cell and adapters)
Force measurement	Grade 0.2/1 depending on type load cell (according DIN ISO 7500-1, ASTM E4)
Crosshead speed V	0.002 mm/ min to 450 mm/ min
Drive systems travel resolution	< 0.05 µm
Power ratings	3P/ PE/ 400V/ 50Hz, 10.0kVA, 5 - 40°C, 20 - 80% humidity
Weight	10.000kg
Controller	EDC 580

Dimensions:

	[mm]
H (Height)	6500
H test (Test area height)	5000
H max * (Max. crosshead travel)	4500
B absolut (Width with control)	2300
B (Width)	1700
B test (Test area width)	800
T (Depth)	1400

*crosshead travel without grips, adapters and load cells



View universal testing machine with dimensions

Your contact person: